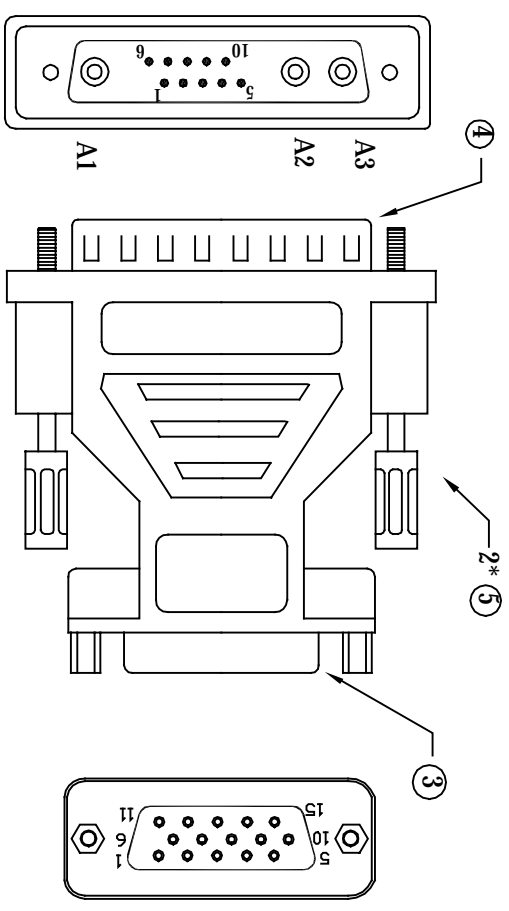


REVISIONS		
REV	DESCRIPTION	APPROVED



13W3 M

HD15F

IMOLDED CONNECTOR END REQUIREMENTS:  
 NICKEL-PLATING GRAY  
 COPPER FOIL WRAP AND 360° SOLDER TO CONNECTOR  
 D.RESISTANCE:1/8 WATT 100ohm

P1	WIRE COLOR	P2
A1(+)	COAX SHIELD	
		8
A3(+)	COAX SHIELD	7
		9
4		5
9		
2		
10		10
6		12
5		13
7		14
1		15
SHELL	SHIELD	SHELL

RESISTANCE:1/8 WATT 100ohm

INSULATION: UPON 1M ohm AND 1M ohm	ELECTRIC CONDUCTION:INSIDE 1.5K ohm		
THUMBSCREW: MALE 4*32mm NICKEL-PLATING		2PCS	
3	CONNECTOR:HD15P FEMALE NICKEL-PLATING, INSULATOR COLOR:BLACK RIVETING SCREW NUT	1PCS	
8	CARBON FIBER 3.2MM NICKEL-PLATING, INSULATOR COLOR:BLACK	3PCS	
1		7PCS	
ITEM NO	PART NAMES	QTY	REMARK

PRODUCT	HD15P FEMALE TO 13W3 MALE ADAPTER	CUSTOMER	HYON .W	
CUS,NO	2	VERSION	CHECKED	
DR,NO		DRAWN DATE	OCT.10.2000	APPROVED
				THREE ANGLE PROJECTION