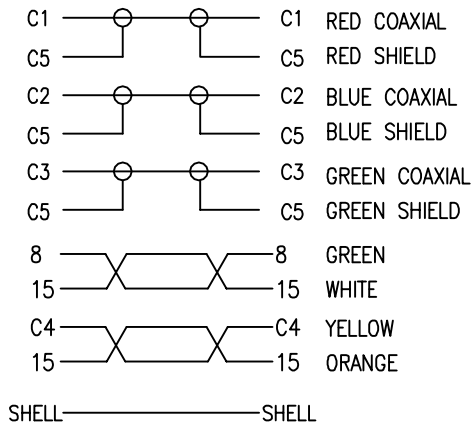
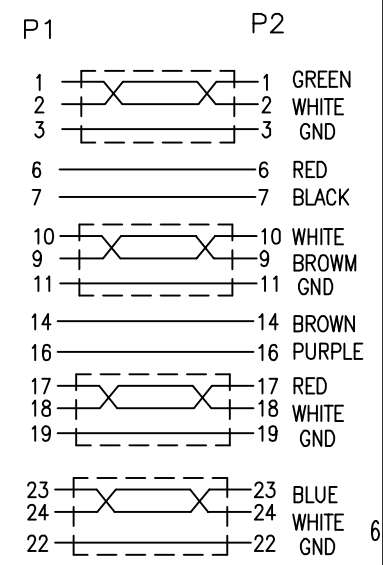
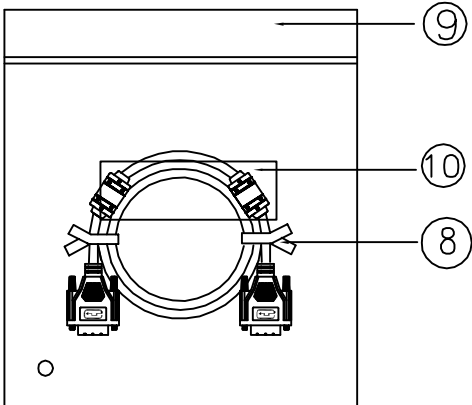


**PINOUT DIAGRAM:**



ITEM NO	LENGTH
DVI-2MM	2M
DVI-3MM	3M
DVI-5MM	5M

- NOTES:**
- 1) PRIMARY DIM:A
  - 2) DVI ANALOG DIGITAL CABLE.
  - 3) RoHS COMPLIANT



4	DVI PLASTIC BOOT OD:9.0MM BLACK(1101) (RoHS)
3	OUTER JACKET PVC 45Pa BLACK(1101) (RoHS)
2	DVI 24+5 PLUG BLACK SOLDER TYPE TERMINAL & SHIELD PLATED GOLD W/METAL HOOD OD:9.5 (RoHS)
1	CABLE UL20276 30#3COAX+(30#1P+A+D)*4+30#2P+30#4C+A+B OD:8.6MM BLACK(1101) XXXXMM (RoHS)

Title: DVI-I 24+5	DWG No.:	Date
Item: DVI-xxMM	Approved By:	
Sample No:	Checked By: <b>JEFF.T</b>	
Scale:	Drawn By: <b>CRAIG.H</b>	<b>2005.12.23</b>
Unit: mm	Tol: 0	
Edt:		