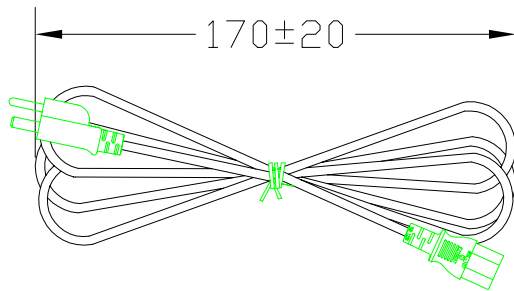
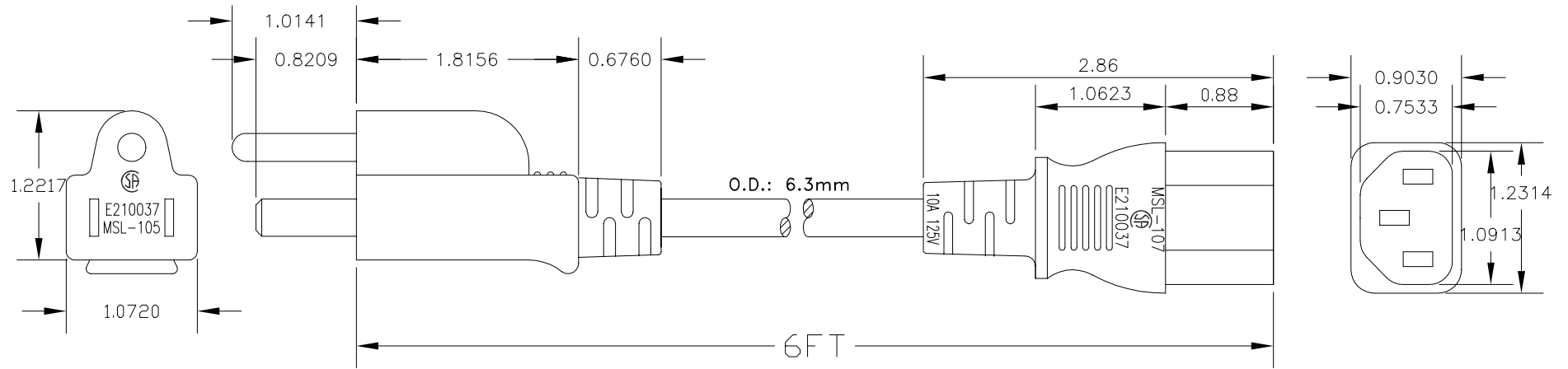


REVISION		
LTR		DATE
A	NEW RELEASE	09/17/99
		APPROVED
		H.T.



<input checked="" type="checkbox"/> SVT	<input type="checkbox"/> SJT	<input type="checkbox"/> SJTW	AWG
			18
<input checked="" type="checkbox"/>			
<input checked="" type="checkbox"/> NON MIGRATION	<input type="checkbox"/> MIGRATION		

Power Cord Maximum Rating: 10A @ 125V



UNLESS OTHERWISE SPECIFIED: 1. DIMENSION ARE IN INCHS 2. TOLERANCES: DECIMALES X.XX ±0.25 3. DO NOT SCALE DRAWING 4. REMOVE ALL BURRS AND BR			
	. NO.		
	DRAWN	DATE	
	OMER APPROVAL		
PROPRIETARY DOCUMENT THIS DRAWING AND/OR INFORMATION OR SUBJECT MATTER CONTAINED HEREIN, SHALL NOT BE USED, COPIED OR DISSEMINATED IN ANY MANNER, OR FOR ANY PURPOSE, OTHER THAN AS EXPRESSLY STATED BY	Standard AC Power Cord (PC to Wall Power Cord)		
		PART NO.	
	-LE: NONE	RELEASE DATE: 09	