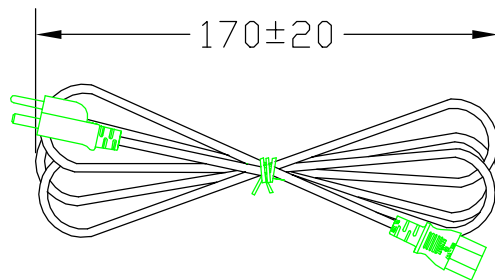
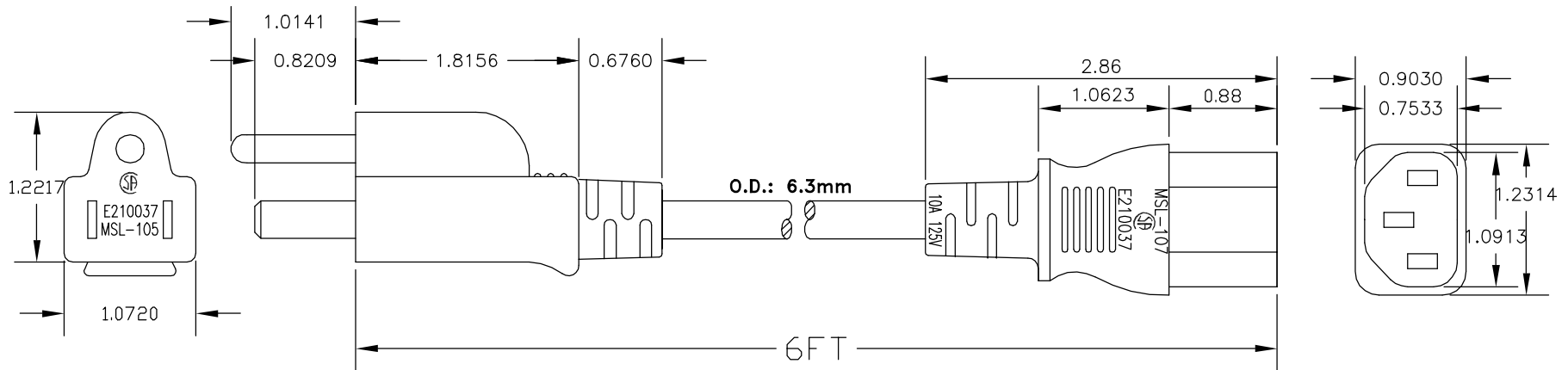


REVISION			
LTR	DESCRIPTION	DATE	APPROVED
A	NEW RELEASE	09/17/99	H.T.



<input checked="" type="checkbox"/> SVT	<input type="checkbox"/> SJT	<input type="checkbox"/> SJTW	AWG
			18
UL/CSA:60°C			
UL/CSA:60°C SHIELDED			
<input checked="" type="checkbox"/>	UL/CSA:60°C~75°C		
UL/CSA:60°C~75°C SHIELDED			
UL/CSA:105°C			
UL/CSA:105°C SHIELDED			
<input checked="" type="checkbox"/> NON MIGRATION		<input type="checkbox"/> MIGRATION	

Power Cord Maximum Rating: 10A @ 125V



RoHS Compliance

UNLESS OTHERWISE SPECIFIED 1. DIMENSION ARE IN INCHS 2. TOLERANCES: DECIMALES X.XX ±0.25 3. DO NOT SCALE DRAWING 4. REMOVE ALL BURRS AND BREAK SHARP EDGES.	CUSTOMER	TITLE Standard AC Power Cord (PC to Wall Power Cord)			
	R.F.Q. NO.				
	DRAWN				DATE 09/17/99
	CHECKED				
PROPRIETARY DOCUMENT THIS DRAWING AND/OR INFORMATION OR SUBJECT MATTER CONTAINED HEREIN, SHALL NOT BE USED, COPIED OR DISSEMINATED IN ANY MANNER, OR FOR ANY PURPOSE, OTHER THAN AS EXPRESSLY STATED BY CDMDP Enterprises Corp.	CUSTOMER APPROVAL	SIZE	DWG NO.	PART NO.	REV. A
		SCALE: NONE	RELEASE DATE: 09/17/99	SHEET: 1 OF 1	