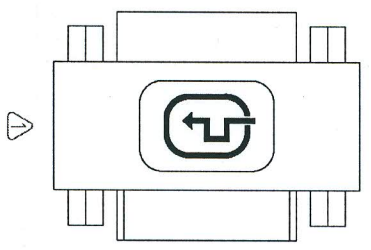
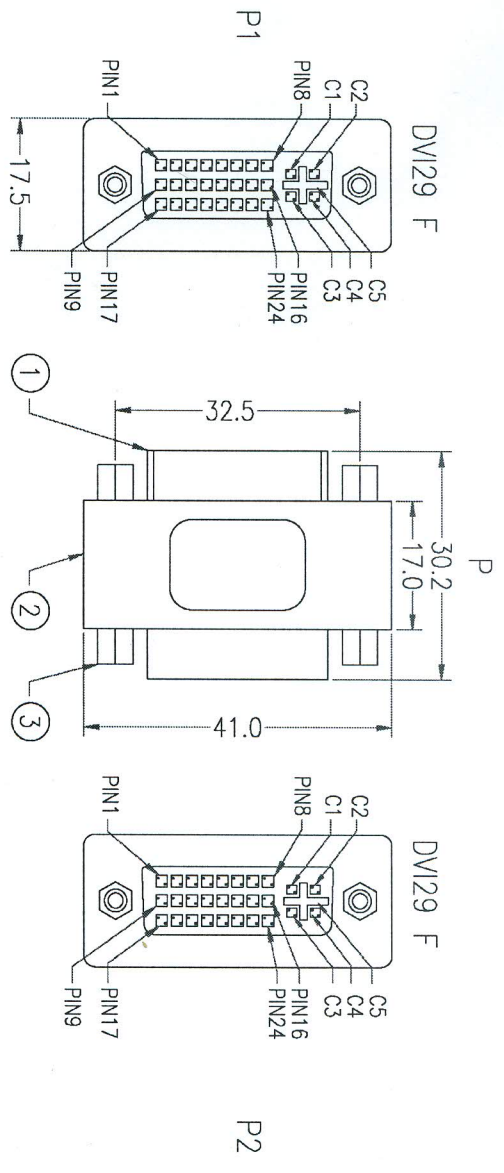


P: M-Y4007  
M-4007

Customer No: No.1KK



4438	
P1	P2
1	1
2	2
} 1:1	
28	28
29	29
SHIELD	SHIELD

△ RE.1 2006.03.21 MODIFY TEXT MOLD

CHECKED

APPROVED			Cable Length Unless Other Spec. Teleconces: 0 ~200mm ±10mm 201~1000mm ±20mm 1001 ~1500mm ±25mm 1501~2100mm ±30mm 2100mm ↓ ±40mm																
CHECKED	TIAN																		
DRAWING	SUSAN																		
DATE	21/MAR/06	ITEM NO.	UNIT:mm																
<table border="1"> <tr> <th>No.</th> <th>DESCRIPTION</th> <th>Q'TY</th> <th>Supplier</th> </tr> <tr> <td>1</td> <td>SOLID TINNED COPPER 0.254, LENGTH 8mm 15P PIN PCB: A-DVF/E AND B-DVF/F MOLDED PE COLOR TRANSPARENT MOLDED PVC BEIGE</td> <td>1 2 2</td> <td>M304 JUNHAO M730 TWN M304</td> </tr> <tr> <td>2</td> <td>HEX-NUT #4-40, 4.75*10mm</td> <td>4</td> <td>M95</td> </tr> <tr> <td>3</td> <td>DVI29 FEMALE, GOLD FLASH ON CONTACTS, WHITE INSULATOR</td> <td>2</td> <td>M78</td> </tr> </table>			No.	DESCRIPTION	Q'TY	Supplier	1	SOLID TINNED COPPER 0.254, LENGTH 8mm 15P PIN PCB: A-DVF/E AND B-DVF/F MOLDED PE COLOR TRANSPARENT MOLDED PVC BEIGE	1 2 2	M304 JUNHAO M730 TWN M304	2	HEX-NUT #4-40, 4.75*10mm	4	M95	3	DVI29 FEMALE, GOLD FLASH ON CONTACTS, WHITE INSULATOR	2	M78	
No.	DESCRIPTION	Q'TY	Supplier																
1	SOLID TINNED COPPER 0.254, LENGTH 8mm 15P PIN PCB: A-DVF/E AND B-DVF/F MOLDED PE COLOR TRANSPARENT MOLDED PVC BEIGE	1 2 2	M304 JUNHAO M730 TWN M304																
2	HEX-NUT #4-40, 4.75*10mm	4	M95																
3	DVI29 FEMALE, GOLD FLASH ON CONTACTS, WHITE INSULATOR	2	M78																