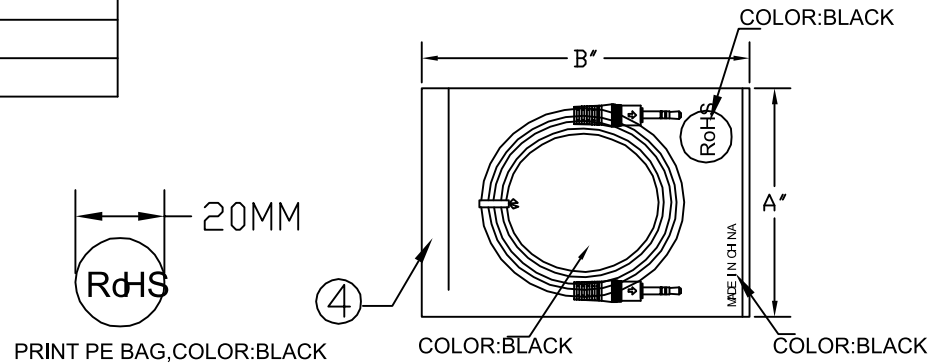


P/N	L	T	PE BAG(06*A"*B")
05033	915	25	

PIN OUT:

DC3.5 M DC3.5 M



MATERIAL LIST

NO.	P/NAME	DESCRIPTION	QTY	MOLD TOOL NO.
1	CABLE	NO-UL 28AWG*2C+S OD±0.1 BLACK(B792)	1	DC3.5M A110-059-002
2	CONN	DC3.5 立体 MALE	1	
3	PVC	45P BLACK(B792) PVC	8g	

PCCABLES.COM INC				RoHS
DRAWN BY				
CHECKED BY				CONFIRMED BY
DATE				
SCALE		UNIT		REV
MM		B		
FILE NAME		CUSTOMER		CHECKED BY
DATE		CUSTOMER P/N		APPROVED BY