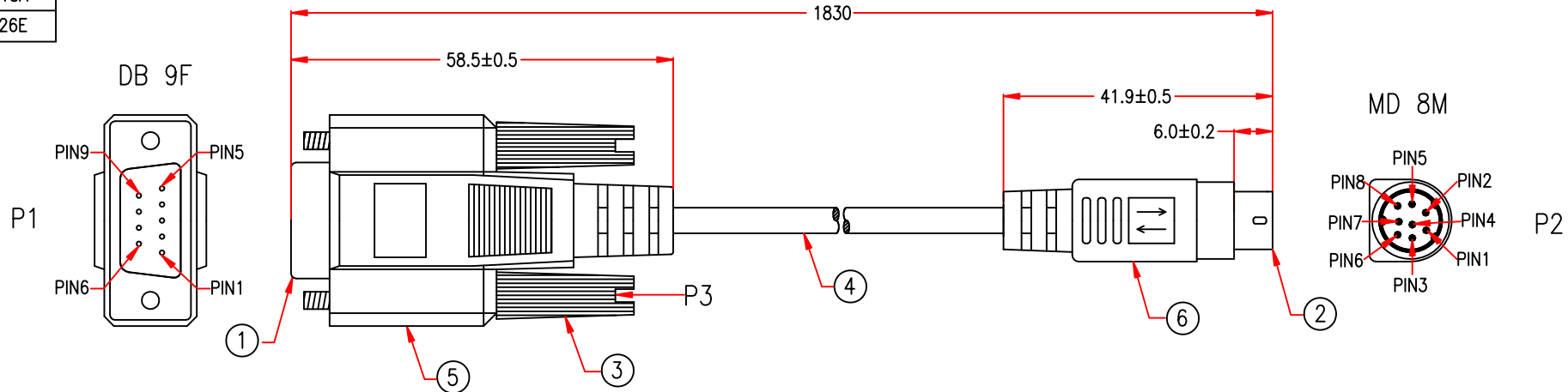
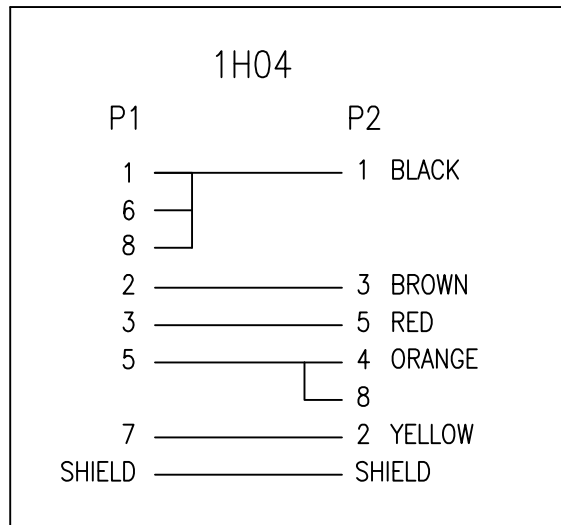


P1:	M-Y139C
	M-139C
P2:	M-113A
P3:	M-426E

Customer No: No.1



NOTE: All relevant materials are complied with RoHS directive .



6	Jumper Wire UL1061/28#/1C x 28mm, ODO.9mm, COLOR WHITE, DRAWING NO.EH002801C-024	H5SE07-0304W01	1	M304
	MOLDED PVC GRAY	H1BF01-0304G09		M304
5	Jumper Wire UL1061/28#/1C x 28mm, ODO.9mm, COLOR WHITE, DRAWING NO.EH002801C-024	H5SE07-0304W01	1	M304
	PVC BLACK TUBE ϕ 3.0*22mm	H7A001-0304K09	1	M304
	ALUMINUM FOIL 33*65mm	A6MA05-0523	1	M523
	MOLDED PE COLOR TRANSPARENT	A5BA14-0325		M325
	MOLDED PVC GRAY	H1BF01-0304G09		M304
4	UL2464 5C 28AWG, ALUM-MYLAR FOIL SHIELDING WITH DRAIN WIRE, OD 4.0mm, JACKET GRAY, DRAWING No. EMAL2805C-297	H5FL07-0304G09	1810mm	M304
3	MOLDED THUMBSCREW #4-40, LENGTH 46.5mm, GRAY	A6AA30-0095	2	M95
2	MINI DIN 8 MALE, GOLD FLASH ON CONTACTS, BLACK INSULATOR	A1EG08-0108	1SET	M108
1	DB9 FEMALE, GOLD FLASH ON CONTACTS, BLACK INSULATOR	A1AA01-0277K09	1	M277
No.	DESCRIPTION		Q'TY	Supplier

APPROVED		PCCABLES.COM INC.	Cable Length Unless Other Spec. Tolerances: 0 ~200mm \pm 10mm 201~1000mm \pm 20mm 1001 ~1500mm \pm 25mm 1501~2100mm \pm 30mm 2100mm \uparrow \pm 40mm		
CHECKED	HU				
CHECKED	JIANG				
DESIGNER	YU				
DATE	09/OCT/20	ITEM NO.	70810-70811	UNIT:mm	

CHECKED