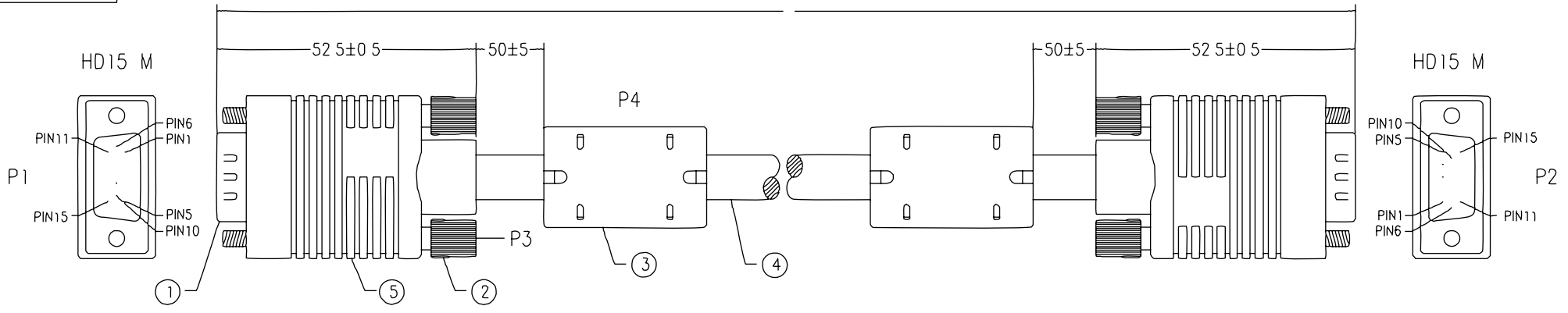


P1,P2:	M-Y125B
	M-125E
P3:	M-487A
P4:	M-323C

Customer No No 1



*NOTE: All relevant materials are complied with RoHS directive .

PIN ASSIGNMENT	
P1	P2
1	1 RED CONDUCTOR
6	6 RED SHIELD
2	2 GREEN CONDUCTOR
7	7 GREEN SHIELD
3	3 BLUE CONDUCTOR
8	8 BLUE SHIELD
4	4 BROWN
14	14 BROWN/WHITE
5	5 RED
12	12 RED/WHITE
9	9 YELLOW
10	10 ORANGE
13	13 ORANGE/WHITE
11	11 BLACK
15	15 BLACK/WHITE
SHIELD	SHIELD

No	DESCRIPTION	Q'TY	Supplier
5	BLACK PVC TUBE $\phi 3.0 \times 22\text{mm}$	2	M304
	BLACK HEAT SHRINK TUBE $\phi 3.0 \times 10\text{mm}$	6	M743
	BLACK HEAT SHRINK TUBE $\phi 1.5 \times 10\text{mm}$	6	M743
	COPPER FOIL 33*65mm	2	M379
	MOLDED PE COLOR TRANSPARENT		TWN
4	MOLDED PVC BLACK		M304
	UL2919 {[28AWG+AL+S(29/0 10mmTS)]*3COAXIAL+(28AWG*4 5P)},AL+D+AMA BRAID(47%), OD 9.0mm, JACKET BLACK GROOVE, DRAWING No EAAB2803T2804P2801C-197	L=20mm	M304
3	FERRITE CORE 17.5*10.5*28.5mm	2	M113
	MOLDED PVC BLACK		M304
2	MOLDED THUMBSCREW #4-40, LENGTH 48mm, BLACK	4	M95
1	HD15 MALE, GOLD FLASH ON CONTACTS, BLUE INSULATOR	2	M108

APPROVED	JFK	PCCABLES.COM INC	Cable Length Unless Other Spec. Tolerances 0 ~200mm $\pm 10\text{mm}$ 201~1000mm $\pm 20\text{mm}$ 1001 ~1500mm $\pm 25\text{mm}$ 1501~2100mm $\pm 30\text{mm}$ 2100mm l $\pm 40\text{mm}$
CHECKED	TIAN		
DRAWING	XIANG		
DATE	28/DEC/07		
ITEM NO.		UNIT:mm	