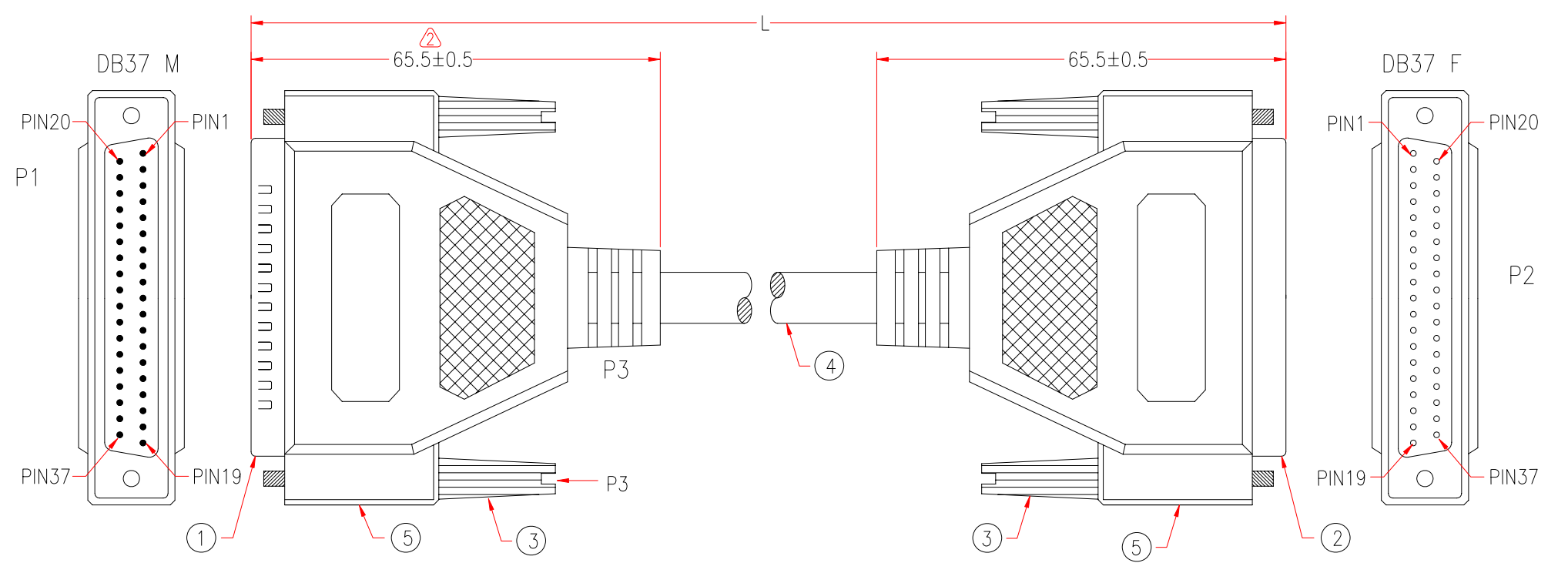


P1,P2: M-Y219A
M-219B
P3: M-432A

Customer No:



PAGE 1 OF 2

③ REV.2 2010.06.14	MODIFY MOLDED SCREW AND ALUMINUM FOIL LENGTH, ADD NOTE
REV.2 2010.06.14	MODIFY MOLDED LENGTH

No.	DESCRIPTION	Q'TY	Supplier
APPROVED	PCCABLES.COM INC	Cable Length Unless Other Spec.	
CHECKED		Tolerances:	
DRAWING		0 ~0.2M ±0.01M 0.21~1.0M ±0.02M 1.1 ~1.5M ±0.025M 1.51~2.1M ±0.03M 2.1M ↑ ±0.04M	
DATE	20/JUN/16	ITEM NO.	00830
		UNIT:mm	

P1,P2:	M-Y219A
	M-219B
P3: M-432A	

Customer No:	No:1
--------------	------

3033

P1	P2	P1	P2		
1	1	BROWN	20	20	LIGHT GREEN/WHITE
2	2	BROWN/WHITE	21	21	LIGHT GREEN/BLACK
3	3	BROWN/BLACK	22	22	BLUE
4	4	RED	23	23	BLUE/WHITE
5	5	RED/WHITE	24	24	BLUE/BLACK
6	6	RED/BLACK	25	25	LIGHT BLUE
7	7	ORANGE	26	26	LIGHT BLUE/WHITE
8	8	ORANGE/WHITE	27	27	LIGHT BLUE/BLACK
9	9	ORANGE/BLACK	28	28	PURPLE
10	10	PINK	29	29	PURPLE/WHITE
11	11	PINK/WHITE	30	30	PURPLE/BLACK
12	12	PINK/BLACK	31	31	GREY
13	13	YELLOW	32	32	GREY/WHITE
14	14	YELLOW/WHITE	33	33	GREY/BLACK
15	15	YELLOW/BLACK	34	34	WHITE
16	16	GREEN	35	35	WHITE/BLACK
17	17	GREEN/WHITE	36	36	BLACK
18	18	GREEN/BLACK	37	37	BLACK/WHITE
19	19	LIGHT GREEN SHIELD			SHIELD

⚠ NOTE: ALL relevant materials are complied with RoHS directive

No.	DESCRIPTION	Q'TY	Supplier
5	BLACK PVC TUPE ϕ 3.0*42mm	2	M304
	ALUMINUM FOIL 38*130mm ⚠	2	M579
	MOLDED PE COLOR TRANSPARENT		M280
	MOLDED PVC BEIGE		M304
4	NON-UL 37C 28AWG, ALUM-MYLAR FOIL SHIELDING WITH DRAIN WIRE, OD 8.5mm, JACKET BEIGE, DRAWING No. EMAL2837C-104	L-20mm	M304
3	MOLDED SCREW #4-40, LENGTH 46.5mm, BEIGE	4	M95
2	DB37 FEMALE, GOLD FLASH ON CONTACTS, BLUE INSULATOR	1	M108
1	DB37 MALE, GOLD FLASH ON CONTACTS, BLUE INSULATOR	1	M108

PAGE 2 OF 2

APPROVED		PCCABLES.COM INC	Cable Length Unless Other Spec. Tolerances: 0 ~0.2M ±0.01M 0.21~1.0M ±0.02M 1.1 ~1.5M ±0.025M 1.51~2.1M ±0.03M 2.1M ±0.04M		
CHECKED	HU				
DRAWING	XIAO				
DATE	20/JUN/16	ITEM NO.	00830	UNIT:mm	○

REV.2 2010.06.14	MODIFY MOLDED SCREW AND ALUMINUM FOIL LENGTH, ADD NOTE		
REV.2 2010.06.14	MODIFY MOLDED LENGTH		
REV.1 2004.06.21	CHECKED		