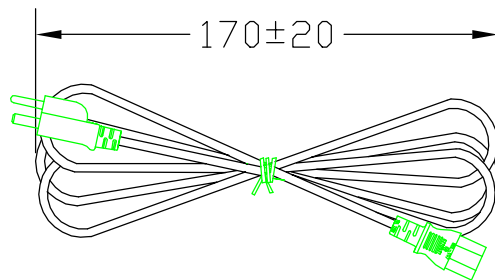
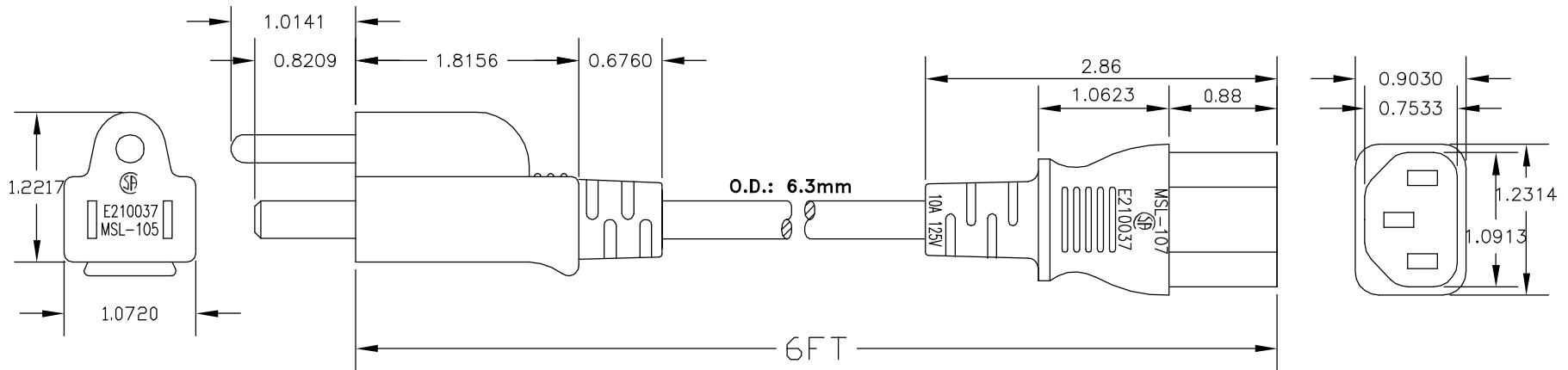


REVISION			
LTR	DESCRIPTION	DATE	APPROVED
A	NEW RELEASE	09/17/99	H.T.



<input checked="" type="checkbox"/> SVT	<input type="checkbox"/> SJT	<input type="checkbox"/> SJTW	AWG
			UL/CSA:60°C
			UL/CSA:60°C SHIELDED
<input checked="" type="checkbox"/>			UL/CSA:60°C~75°C
			UL/CSA:60°C~75°C SHIELDED
			UL/CSA:105°C
			UL/CSA:105°C SHIELDED
<input checked="" type="checkbox"/>		<input type="checkbox"/>	NON MIGRATION
			MIGRATION

Power Cord Maximum Rating: 10A @ 125V



RoHS Compliance

UNLESS OTHERWISE SPECIFIED: 1. DIMENSION ARE IN INCHS 2. TOLERANCES: DECIMALES X.XX ±0.25 3. DO NOT SCALE DRAWING 4. REMOVE ALL BURRS AND BREAK SHARP EDGES.	CUSTOMER	T			
	R.F.Q. NO.				
	DRAWN	TITLE			
	CHECKED	Standard AC Power Cord (PC to Wall Power Cord)			
PROPRIETARY DOCUMENT THIS DRAWING AND/OR INFORMATION OR SUBJECT MATTER CONTAINED HEREIN, SHALL NOT BE USED, COPIED OR DISSEMINATED IN ANY MANNER, OR FOR ANY PURPOSE, OTHER THAN AS EXPRESSLY STATED BY CDMDP Enterprises Corp.	CUSTOMER APPROVAL	SIZE	DWG NO.	PART NO.	REV.
					A
		SCALE: NONE	RELEASE DATE: 09/17/99	SHEET: 1 OF 1	