

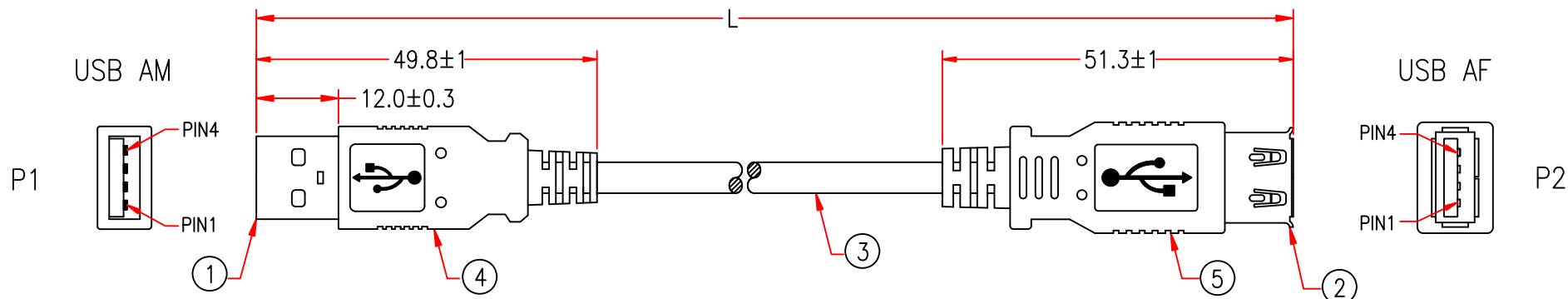
P1: M-942C

Customer No:

P2:

M-Y928A

M-928A



MARKING:

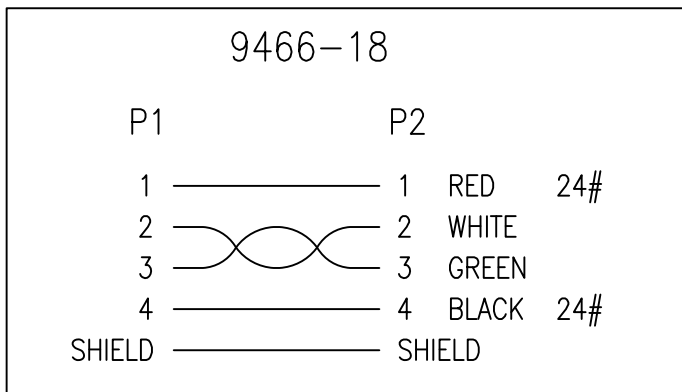
HI-SPEED USB Revision 2.0 SHIELDED 28AWG/1PR+24AWG/2C

E300060 兎 AWM 2725 80°C 30V VW-1

c兎 E300060 AWM I/II A/B 80°C 30V FT1 MSL-VN-

NOTE: All relevant materials are complied with RoHS directive .

5	BLACK HEAT SHIRK TUBE $\phi$ 1.0*10mm	A4HA23-0959	1	M959
	MOLDED PE COLOR TRANSPARENT	A5BA14-7777		M7777
	MOLDED PVC BEIGE	H1BF01-0304B01		M304
4	MOLDED PVC BEIGE	H1BF01-0304B01		M304
3	USB 2.0 CABLE, UL 2725 STYLE 1 TWISTED PAIR 28AWG AND 2C 24AWG, AMA BRAID, OD 4.5mm, JACKET BEIGE, DRAWING No.EUAB2801P2402C-422	H5KT03-0304B01	L-20mm	M304
2	USB A FEMALE, GOLD FLASH ON CONTACTS, WHITE INSULATOR	A1HC03-0277	1	M277
1	USB A MALE, GOLD FLASH ON CONTACTS, WHITE INSULATOR, CRIMP TWO PIECES TYPE	A1HA22-0454	1SET	M454
No.	DESCRIPTION	Q'TY		Supplier



APPROVED		<b>PCCABLES.COM INC</b>	Cable Length Unless Other Spec. Tolerances: 0 ~200mm ±10mm 201~1000mm ±20mm 1001 ~1500mm ±25mm 1501~2100mm ±30mm 2100mm↑ ±40mm
CHECKED	HU		
DESINGER	XJW		
DRAWING	WEI		
DATE	14/MAR/23		
ITEM NO.		UNIT:mm	

CHECKED